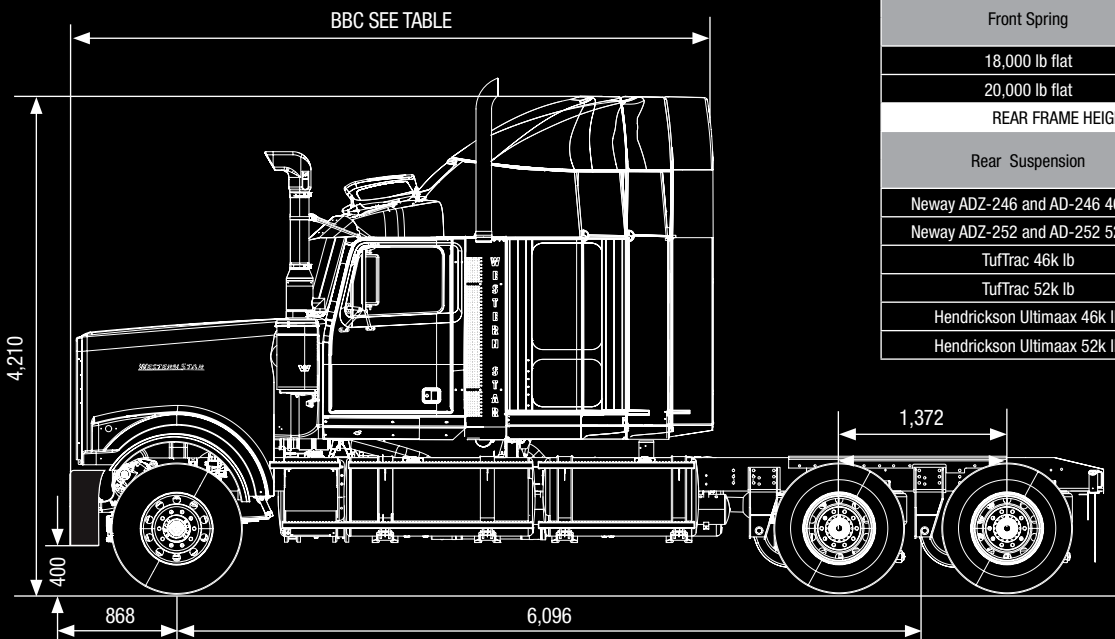




# SPECIFICATIONS



FRONT FRAME HEIGHT (F.F.H) mm	
Front Spring	Tyres
18,000 lb flat	385/65R22.5
20,000 lb flat	1,120
	1,124
REAR FRAME HEIGHT (R.F.H) mm	
Rear Suspension	Tyres
Neway ADZ-246 and AD-246 46k lb	11R22.5
Neway ADZ-252 and AD-252 52k lb	1,060
TufTrac 46k lb	1,110
TufTrac 52k lb	1,118
Hendrickson Ultimaax 46k lb	1,153
Hendrickson Ultimaax 52k lb	1,070
	1,113

BBC Dimensions	
Cab Type	BBC mm
Day Cab	3,375
40" Strat	4,192
54" Strat	4,561
68" Strat	4,906

\*Higher GCM ratings available subject to application and engineering approval.



# SPECIFICATIONS & OPTIONS

ENGINE	
Engine & HP/RPM, Torque	Cummins X15 550 hp up to 600 hp, 1,850 lb-ft up to 2,050 lb-ft
ENGINE EQUIPMENT	
Air Intake	Dual stainless steel 13" Donaldson cowl mtd w/inline separator and extension rams
Air Compressor	37.4 CFM twin cylinder compressor with internal safety valve
Engine Brake	Intebrake compression brake
Radiator	1,875 square inch copper/brass
Diesel Exhaust Fluid Tank	175L stainless steel RHS under door/200L with 68" sleeper
Engine Fan Drive	Borg Warner (Kysor); Option: Horton two-speed Drivemaster
TRANSMISSION	
Transmission	Eaton Fuller manual and Ultrashift AMT
AXLE & SUSPENSION	
Front Axle	Meritor FL-941 front axle, 20,000 lb axle capacity
Front Suspension	18,000 lb up to 20,000 lb capacity flat-leaf
Rear Axle	Meritor RT-50-160GP R-series as standard Option: Meritor RT-52-185G T-series Meritor RT-52-380G T-series Meritor RT-52-380G w/dual pumps T-series rear axle Meritor RZ-188G T-series tridem, RP-26-185G/RT-52-185G configuration
Rear Axle Ratio	4.56 – optional based on application
Main Driveline	Meritor RPL 25SD; option: Dana Spicer SPL250HD
Interaxle Driveline	Meritor RPL 20SD; option: Dana Spicer SPL170HD
Rear Suspension	Neway ADZ-246 (46,000 lb); Options: Neway ADZ-252 (52,000 lb), ADZ-378 (78,000 lb, AD-246 (46,000 lb), AD-252 (52,000 lb), AD-378 (78,000 lb) Tufftrac 46,000 lb and 52,000 lb Hendrikson Ultimaax 46,000 lb and 52,000 lb
BRAKE SYSTEM	
Anti-Lock (ABS)	WABCO 4S/4M with traction control enhancement
Air Dryer	WABCO twin air dryer with heater
Electrical Roll Stability Control	Optional WABCO electrical roll stability control - based on application in the brake system area
FRAME	
Frame Rails	3/8" x 3-1/2" x 10-3/4" double channel steel frame, 120ksi
Wheelbase	Options from 5,625mm (221") to 6,450mm (254")

CHASSIS EQUIPMENT	
Rear Tow Device	Rear tow pin and clevis
Fuel Tank	1,702L to 1,980L with full length steps
Fuel/Water Separator	Davco 382
WHEELS & TYRES	
Front Tyres	Michelin X Multiway HD XZE 385/65R22.5 20 ply radial
Rear Tyres	Michelin X Multiway D 11R22.5 16 ply radial
Front Rims	Spider hubs with 22.5" x 12.25" steel rims Option: Alcoa 22.5" x 12.25" alloy disc wheels in aluminium finish polish & Dura-Bright
Rear Rims	Spider hubs with 22.5" x 8.25" steel rims Option: Alcoa 22.5" x 8.25" alloy disc wheels in aluminium finish polish & Dura-Bright
CABIN EXTERIOR	
Cab Size	132" BBC galvanised steel cab, ECE R29 compliant, forward axle
Sleeper	Day cabin Options: 34" Star light low roof sleeper 34" Stratosphere high roof rest cab 40", 54", 68" Stratosphere sleeper high rise stand up cab and walk-through
Primary Mirrors	Moto - dual stainless steel heated left and right-hand motorised mirrors with lights and remote Option: cab mounted - dual Mekra aero bright finish heated dual axis one-piece motorised mirrors with lights, LH and RH remote and integral convex mirrors
Mirror Mtd Aux Mirrors	Left-hand and right-hand 8" convex mirrors, bright finish Option: dual Mekra bright finish heated convex mirrors with manual adjustment and dual axis for one-piece primary mirrors
Door Window Regulators	Left and right-hand electric powered windows
CABIN INTERIOR	
Heater, Vent, AC	Heater, defroster & air conditioner with constant temperature control & cosmetic cover
INSTRUMENTS & CONTROLS	
Driver Instrument Panel	Woodgrain-like with a premium cherry finish
Driver Info Centre	DataStar driver display and warning lamp/light bar display, non-data linked
PAINT	
Cabin	PPG white with base coat clear - options available
Chassis	PPG single stage - colour options available



**Western Star Trucks is a premier producer of hand-built heavy-duty trucks, engineered for the toughest vocations. To learn more about the different options and the range, contact your local Western Star dealer or visit [WESTERNSTAR.COM.AU](http://WESTERNSTAR.COM.AU)**

**PENSKE AUSTRALIA • 72 FORMATION STREET WACOL QLD 4076 • PHONE (07) 3271 7777**

Dimensions for frame height are all to the top of the chassis above axle (group) centreline and may vary based on frame depth. For illustration purposes different configurations have been used. Due to optional equipment, variable fuel quantity, and therefore tare weight, the variations will occur in the heights. For specific heights please contact your Western Star dealer. On heavy duty trucks, height variations in the order of +/- 25mm can be expected. Heights have been calculated with trucks unladen with Michelin tyres unless specified. Use of tyres by different manufacturers will result in height variations. Contact your Western Star dealer for a full range of options. Specifications may be subject to change.