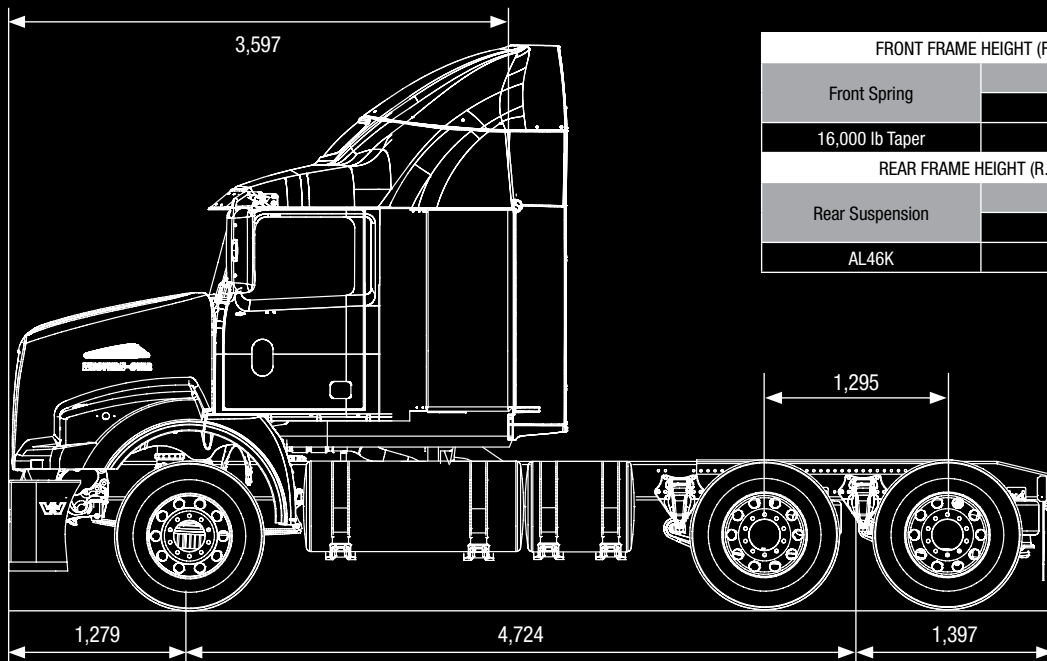


# W 5800 FE

# SPECIFICATIONS



FRONT FRAME HEIGHT (F.F.H) mm	
Front Spring	Tyres 295/80R22.5
16,000 lb Taper	1,058
REAR FRAME HEIGHT (R.F.H) mm	
Rear Suspension	Tyres 11R22.5
AL46K	1,056



# SPECIFICATIONS & OPTIONS

ENGINE	
Engine & HP/RPM, Torque	Detroit DD15 500 hp up to 560 hp, 1,650 lb-ft up to 1,850 lb-ft
ENGINE EQUIPMENT	
Air Intake	Donaldson air intake on sides of bonnet
Engine Brake	Jacobs compression brake
Engine Fan Drive	Borg Warner (Kysor) Option: Horton two-speed Drivemaster
Radiator	1,700 square inch aluminium
Exhaust	RH inboard frame mounted horizontal tailpipe with mitigator
Starter	Mitsubishi Mod 31 75-DP60 with integrated magnetic switch
TRANSMISSION	
Transmission	Eaton Fuller manual and Ultrashift AMT
AXLE & SUSPENSION	
Front Axle	Meritor MFS-16-122A FL1 (MFS73) front axle, 16,000 lb axle capacity
Front Suspension	Taper-leaf 16,000 lb capacity
Rear Axle	Meritor RT-46-160GP, 46,000 lb axle capacity
Rear Axle Ratio	4.30 – optional based on application
Main Driveline	Meritor RPL 25SD, option: Dana Spicer SPL250HD
Interaxle Driveline	Meritor RPL 20SD, option: Dana Spicer SPL170HD
Rear Suspension	Airliner 46,000 lb capacity
BRAKE SYSTEM	
Anti-Lock (ABS)	WABCO 4S/4M with traction control enhancement
Air Dryer	WABCO system saver HP with integral air governor and heater
Electrical Roll Stability Control	Optional WABCO electrical roll stability control - based on application in the brake system area
FRAME	
Frame Rails	3/8" x 3-1/2" x 10-3/4" steel frame, 120 ksi
Wheelbase	4,725 mm (186")
CHASSIS EQUIPMENT	
Fuel Tanks	25" diameter aluminium, EquiFlo, 1,400L
Fuel Cooler	Steel core chassis mounted, in frame

WHEELS & TYRES	
Front Tyres	Michelin X Multiway 3D XZE 295/80R22.5 16 ply
Rear Tyres	Michelin X Multiway D 11R22.5 16 ply
Wheels	Alcoa 22.5" x 8.25" 10-hub piloted, aluminium disc wheels, Dura-Bright finish
CABIN EXTERIOR	
Cabin	109" BBC galvanised steel cab, ECE R29 compliant, setback axle
Sleeper	40" Stratosphere high rise stand up cab and walk-through
Roof Fairing	Western Star roof fairing with cabin side extenders
Primary Mirrors	Moto - dual stainless steel heated left and right-hand motorised mirrors with lights and remote. Option: cab mounted - dual Mekra aero bright finish heated dual axis one-piece motorised mirrors with lights, LH and RH remote and integral convex mirrors
Mirror Mtd Aux Mirrors	Left-hand and right-hand 8" convex mirrors, bright finish. Option: dual Mekra bright finish heated convex mirrors with manual adjustment and dual axis for one-piece primary mirrors
Door Window Regulators	Left and right-hand electric powered windows
CABIN INTERIOR	
Seats	National 2000 Series high-back driver seat with six-way front and rear cushions. All seats with Laredo leather covers
Seat Armrests	Dual armrests for driver seat only
Heater, Vent, AC	Heater, defroster and air conditioner with constant temperature control
INSTRUMENTS & CONTROLS	
Driver Info Centre	DataStar driver display and warning lamp/light bar display, non-data linked
PAINT	
Cabin	PPG white with base coat clear - options available
Chassis	PPG single stage - colour options available



**Western Star Trucks is a premier producer of hand-built heavy-duty trucks, engineered for the toughest vocations. To learn more about the different options and the range, contact your local Western Star dealer or visit [WESTERNSTAR.COM.AU](http://WESTERNSTAR.COM.AU)**

**PENSKE AUSTRALIA • 72 FORMATION STREET WACOL QLD 4076 • PHONE (07) 3271 7777**

Dimensions for frame height are all to the top of the chassis above axle (group) centreline and may vary based on frame depth. For illustration purposes different configurations have been used. Due to optional equipment, variable fuel quantity, and therefore tare weight, the variations will occur in the heights. For specific heights please contact your Western Star dealer. On heavy duty trucks, height variations in the order of +/- 25mm can be expected. Heights have been calculated with trucks unladen with Michelin tyres unless specified. Use of tyres by different manufacturers will result in height variations. Contact your Western Star dealer for a full range of options. Specifications may be subject to change.