

SERIOUS SPECS

W 5800 SS



Serious trucks.™



WESTERN STAR TRUCKS®



Engine Options	Detroit Diesel DD13 EGR 450hp Detroit Diesel DD15 EGR 475, 500, 505, 530 & 560hp
Engine Brake Options	Jacobs compression brake
Transmission Options	Eaton Fuller 13 & 18 speed overdrive manual & 18 speed and ultra-shift with oil pump & Hayden Cooler & oil filter Synthetic lube standard
Front Axle	Meritor MFS73 Optional Meritor FG941 available Forward axle 1270mm (50") set-back dimension Synthetic lube standard
Steering	TRW TAS 85, 23.3:1 ratio, RHD; TRW pump; 4 quart reservoir; 508mm (20") leather 2-spoke steering wheel with tilt/telescopic column
Front Suspension	Taper leaf rated at 7,258kg (16,000lb) total capacity; cast iron spring brackets Optiona Flat leaf rated at 7,258kg (16,000lb) Threaded pins & bushings standard
Front Brake Options	WABCO Antilock Braking System (ABS) with traction control Meritor 419mm x 127mm (16.5 x 6") 'Q-Plus'; Haldex automatic slack adjusters Bendix ADB22X air disc front brakes optional
Rear Axle Options	Meritor Dual Drive MT-40-14XGP R-Series rear axle, 40,000lb axle capacity, optional Meritor Dual Drive RT-46-164GP R-Series rear axle, 46,000lb axle capacity Dana Spicer Dual Drive DSH-44P rear axle, 44,000lb axle capacity

Rear Brakes	WABCO Antilock Braking System (ABS) with traction control Meritor 419mm x 178mm (16.5" x 7") 'Q-Plus' cam with MGM chambers, automatic slack adjusters
Main Driveline Options	Meritor MXL 18N main driveline with full round yokes Optional Meritor RPL25SD main driveline. Non-greasable Dana Spicer SPL250HD 'XL' main driveline with half round yokes
Interaxle Driveline Options	Meritor MXL 17N interaxle driveline, full round yokes Optional Meritor RPL20 interaxle driveline. Non-greasable Dana Spicer SPL170 'XL' interaxle driveline with half round yokes
Rear Suspension Options	Airliner extra duty 40,000lb capacity rear suspension Airliner 46,000 lb and 46,000 lb with chain clearance Tuf-Trac 46,000lb capacity rear suspension
Air Compressor Options	BW Model BA-921 19.0 CFM single cylinder compressor with safety valve
Oil Filter	Full flow oil filter
Air Cleaner	Dual air intake through left & right sides Donaldson air cleaner mounted to firewall
Fan Clutch	Reinforced nylon fan BorgWarner (Kysor) K32RA fan clutch Optional Horton two-speed fan clutch

Radiator	1700 square inch aluminium radiator with DD13 1875 square inch copper/brass radiator with DD15
Exhaust Options	Stationary cab/sleeper mounted, dual vertical exhaust with polished stainless steel exhaust shield, chromed stack & lower elbow with diesel particulate filter Optional single exhaust available
Alternator	Delco Remy 12V 160 AMP, 36 SI Brushless QuadraMount pad alternator with remote battery volt sense
Batteries	Alliance model 1231, Group 31, 12 volt maintenance-free 3300 CCA batteries with threaded studs
Starter Option	Delco 12V 39MT/OCP HD Series starter with terminal protection
Clutch	Eaton Fuller 15½" Solo VCT dampened ceramic adjustment-free soft rate clutch available for engines up to 1850lb-ft torque
Oil Seals	Chicago Rawhide (Scotseal) Plus XL front & rear oil seals
Frame Options	¼" x 3½" x 10 ⅝" single channel steel frame 166" to 220" wheelbase Optional ⅜" x 3½" x 10¼" single 166" to 238" wheelbase
Overhang	1473mm (58"), optional overhangs available
Front Bumper Options	14" swept back tapered chromed steel bumper Optional FUPS and FUPS bull bar
Air Tank Dryer	CR Turbo 2000 air dryer with heater
Air Tank Drain	Bendix Westinghouse DV-2 auto drain valve without heater to wet tank-drain valves on all other tanks Bendix Westinghouse DV-2 auto drain valve with heater to wet tank-drain valves on all other tanks
Air Line Piping	Reinforced nylon lines, cab & chassis
Air Tanks	Steel in rail, some applications perpendicular outside rail
Fuel Tank Options	Fuel tank sizes available from 227L to 473L in 25" diameter configurations; heavy duty polished stainless steel straps; EquiFlo inboard fuel system Fuel cooler standard



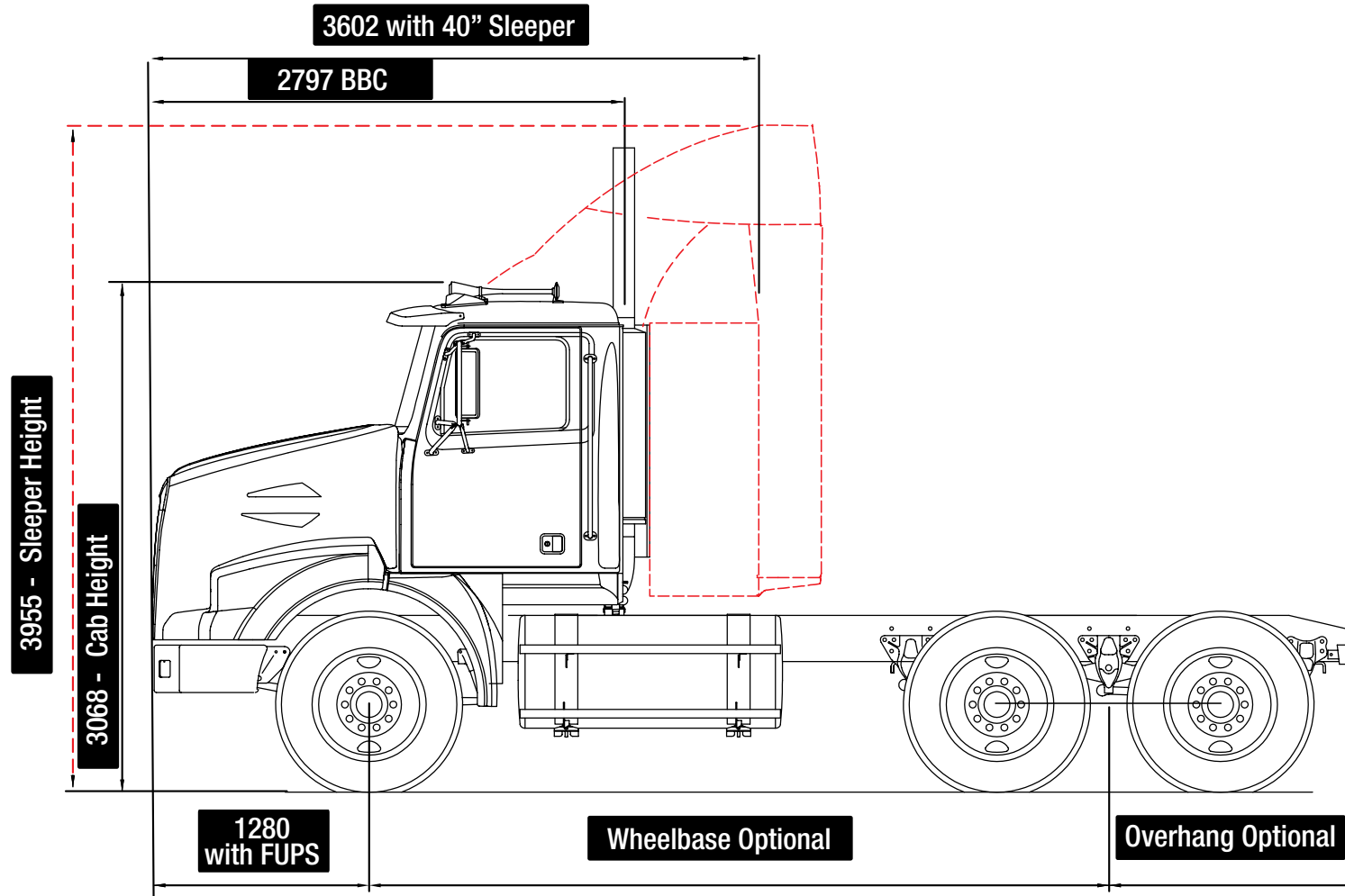
Battery Box	Standard Steel (3) battery size box mounted along side of rail. Numerous options, side mounted and in frame mounted (subject to application)
Cab Shell & Doors	ECE-R29 conforming cab E-Coated galvanised severe service 109" BBC steel cab with aluminised wax rustproofing; welded construction; exterior fibreglass sunvisor; fibreglass cab skirts; stainless sill plates
Sleeper Cab Options	Starlight sleepers are available as 34" low roof configurations Stratosphere 'walk-through' sleepers in a 34" & 40" configuration Side shield & aero kit options available
Steps	Polished aluminium; safety grip on fuel tanks, hydraulic tanks, battery boxes and/or toolboxes
Bonnet & Fenders	Fibreglass super visibility tilt bonnet with stainless steel grille bezel with insect screen; radiator mounted aluminium grille; mudflaps behind front tyres
Insulation	Full cab & firewall insulation; cab undercoating; barium / ceramic / foam insulation to floor & toeboard
Grab Handle	LH & RH exterior grab handles mounted to cab LH & RH interior grab handles mounted to A-post
Mirrors	Dual stainless steel primary mirrors, heated with lights (options include electric or manual); door mounted Dual 152mm (6") stainless steel convex auxiliary mirrors mounted below primary mirrors, optional 203mm (8") convex mirrors 102mm x 229mm (4" x 9") LH mounted downview mirror standard
Headlamps	Dual rectangular headlamps
Tail Lamps	Dual stop, tail, turn & reversing lamps Optional LED
Marker Lamps	LED Amber rectangular

Courtesy Lamps	Dome, under dash & in both doors
Switches	Optional three spare accessory switches; wiring & relay for bull lights
Reading Lamps	Adjustable with individual switches in overhead console & above both doors
Trailer Air Valves	Hand control valve; tractor protection valve; light connections, all behind cab or optional EOF
Heater/Defroster	13.2kW (45,000 BTU) fresh air intake
Horns	Dual rectangular Hadley 660mm (26") air horns with shields; single tone electric horn. Stratosphere dual Hadley 22" chromed round airhorns mounted on cab roof Optional single Hadley 26" rectangular air horn Dual round air horns, single base, mounted under cab (no horn shields) Quad Horns Stratosphere - dual 22" chrome round horns & dual 19" chrome round horns Quad Horns - Dual 22" chromed round airhorns mounted on cab roof
Windows	Clear laminated 2-piece windscreen; tinted optional as well as 1-piece (Australian fit); tinted safety glass side & rear Electric powered LHS door window Optional powered LHS and RHS & LHS door windows
Interior Trim	Mesa vinyl upholstery package with diamond stitching on door panels & back panel. Soft touch trim on overhead console, windshield post covers, trim above doors & upper door panels; dual interior sunvisors with pocket; moulded overhead console with passenger side storage area; side window defrost ducts & integrated arm rests; driver & passenger side map pockets & rubber floor mats
Driver's Seat	National 2000 high back: 3-point retractor seat belt; driver's seat armrests Options include National 2000, Bostrom, Seats Inc. integrated & Isri seats available
Passenger's Seat	Tubular frame, fixed mount; 3-point retractor seat belt Options include National 2000, Bostrom, Seats Inc. integrated & Isri seats available

Air Conditioning	Integrated with radiator mounted condenser
Instrument Panel	Black panel Optional 'Woodgrain' in Cherry simulated Optional Vinyl 'Woodgrain' in Royal Rosewood
Instruments & Gauges	Metric primary & secondary air pressure gauges, low air buzzer & lamp, fuel gauge, voltmeter, engine coolant temperature, oil pressure, engine oil temperature, exhaust temperature, rear axle oil temperature, transmission oil temperature, 89mm (3½") diameter speedometer/odometer & 89mm (3½") electronic tachometer with hour meter, Datastar, gauge finish standard in black bezel with silver bezel available option
Paint	White PPG acrylic urethane to cab & hood basecoat/clearcoat; red chassis, silver rims Options include custom paint
Tyres & Wheels	Front tyres: Michelin Multiway 3D XZE 295/80R22.5 16 ply Rear tyres: Michelin X Multiway D 11R22.5 16 ply Front rims: Accuride Acculite 22.5 x 8.25 steel Rear rims: Accuride Acculite 22.5 x 8.25 steel Aluminium disc wheels and Ultrax 1 optional



Serious trucks.SM



Western Star Trucks Australia

72 Formation Street, Wacol, QLD 4076 ★ PO Box 301, Goodna QLD 4300 ★ Phone: + 61 7 3271 7777 ★ www.westernstar.com.au

Truck photos are for illustration purposes only. Engine and truck specifications are subject to change. 10/15.