

SERIOUS SPECS

W 4800 FS2



Serious trucks.™



WESTERN STAR TRUCKS

W 4800 FS2



| | |
|----------------------|-------------------------------------------------------------------------------------------------------------------------------------------------------------------------------------------------------------|
| Engine Options | Cummins ISX Euro-5 SCR – 500, 525, 550, 600 & Signature 600hp |
| Engine Brake Options | Cummins InteBrake compression brake |
| Transmission Options | Eaton Fuller 13-speed overdrive manual Eaton Fuller RTLO-16918B to RTLO-22918B 18-speed overdrive manual and ultra-shift Oil pump & Hayden cooler included & oil filter Synthetic lube standard |
| Front Axle | Meritor MFS73 standard Optional FG-941 Synthetic lube standard |
| Steering | TRW TAS85; TRW power steering pump; 4 quart reservoir; 508mm (18") leather 2-spoke steering wheel |
| Front Suspension | Standard 7,258kg (16,600lb) capacity taper Optional 7,258kg (16,600lb) capacity flat-leaf Cast iron spring brackets Threaded pins & bushings standard |
| Front Brake Options | WABCO Antilock Braking System (ABS) with traction control Meritor 419mm x 127mm (16½" x 6") 'Q-Plus'; automatic slack adjusters Bendix ADB22X Air Disc Front Brakes are optional |
| Rear Axle Options | Meritor RT-46-160GP R-series rear axle, 46,000lb axle capacity Dana Spicer Dual Drive D46-170P rear axle, 46,000lb axle capacity Synthetic lube standard |

| | |
|-------------------------|----------------------------------------------------------------------------------------------------------------------------------------------------------------------------------------------------------------------|
| Rear Suspension Options | Airliner 46,000lb capacity rear suspension |
| Rear Brakes | WABCO Antilock Braking System (ABS) with traction control Meritor 419mm x 178mm (16½" x 7") 'Q-Plus' cam with MGM chambers, automatic slack adjusters Bendix ADB22X air disc rear brakes |
| Main Driveline Options | Meritor RPL25SD main driveline non-greasable Optional Dana Spicer SPL250HD |
| Interaxle Driveline | Meritor RPL20 interaxle non-greasable driveline Optional Dana Spicer SPL170HD |
| Air Compressor Options | Cummins 18.7 CFM single-cylinder compressor with internal safety valve |
| Oil Filter | Full flow oil filter |
| Air Cleaner | Dual stainless steel 13" Donaldson cowl mounted air cleaners with polished stainless steel bands Dual stainless steel 13" Donaldson cowl mounted with inline separator & extension rams & water resistant element |
| Radiator | 1875 square inch copper/brass radiator |
| Fan Clutch | Reinforced nylon fan Borg Warner (Kysor) fan clutch Optional Horton two-speed fan clutch |

| | |
|--------------------------|-------------------------------------------------------------------------------------------------------------------------------------------------------------------------------------------------------------------------------------|
| Batteries | Alliance Model 7A31, Absorbed glass mat, Group 31, 12 volt maintenance-free 2920 CCA batteries with threaded studs; Positive cab power battery shut-off switch mounted in cab, outboard of driver's seat |
| Water Conditioner | Manufacturers recommended coolant (to facilitate long life coolant programs) |
| Exhaust Options | Stationary cab/sleeper mounted, dual vertical exhaust with polished stainless steel exhaust shield, chromed stack & lower elbow with diesel particulate filter |
| Alternator | Delco Remy 12V 160 AMP, 36 SI brushless Quadramount pad mount alternator with remote battery volt sense |
| Starter Options | Delco 12V 39MT/OCP HD Series starter with terminal protection |
| Clutch | Eaton Fuller 15½" Solo VCT dampened ceramic adjustment-free soft rate clutch, available for engines up to 2250lb-ft torque |
| Wheels Options | Accuride 28487 22.5 x 8.25, 10-hub piloted, steel disc front wheels Accuride 28487 22.5 x 8.25 10-hub piloted, steel disc rear wheels Optional Alcoa & Ultrax 1 Wheels available Optional spoke/rim combinations available |
| Oil Seals | Chicago Rawhide (Scotseal) Plus XL front & rear oil seals |
| Overhang | 1473mm (58"), optional overhangs available |
| Frame Option | 5/16" x 3½" x 10 5/8" single 185" to 220" wheelbase 3/8" x 3½" x 10 3/4" single 185" to 238" wheelbase |
| Front Engine Crossmember | Steel |
| Front Bumper | 18" chromed steel bumper, optional FUPS |
| Cab Front Supports | Iron |
| Rear Cab Crossmember | HD "C" channel steel with air bag(s) & shock absorbers |

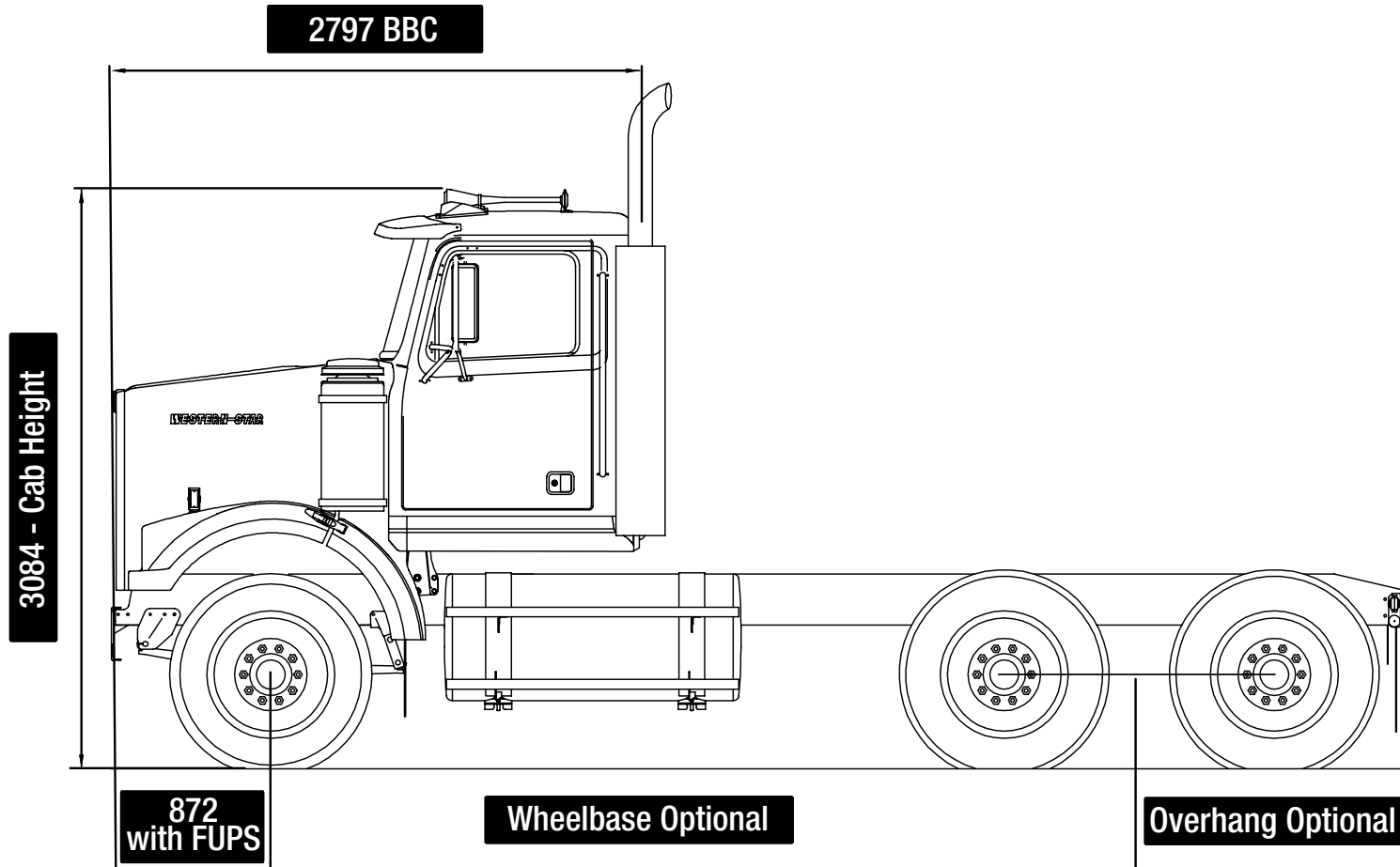


| | |
|-----------------------------|---------------------------------------------------------------------------------------------------------------------------------------------------------------------------------------------------------------------------------------------------|
| Intermediate Crossmember | C-channel steel |
| Rear Suspension Crossmember | C-channel steel |
| Rear Frame Crossmember | Tractor taper, optional squared EOF |
| Air Dryer | CR Brakemaster Turbo 2000 air dryer with heater |
| Air Tank Drain | Bendix Westinghouse DV-2 auto moisture ejector, without heater to wet tank-drain valves on all other tanks |
| Air Tanks | Steel in rail, some applications perpendicular outside rail |
| Fuel Tank Option | 2 x 473 litre (25" diameter) tanks; heavy-duty polished stainless steel straps, optional smaller with less wheelbase; single pick up and return fuel lines with crossover line 150 litre diesel exhaust fluid tank mounted RHS cab door access |
| Battery Box | Stack steel (4) battery size box mounted along side of rail lhs cab door access |
| Cab Shell & Doors | ECE-R29 conforming cab E-Coated galvanised severe service 109" BBC steel cabs with aluminised wax rustproofing; welded construction; exterior fibreglass sunvisor; aluminium cab skirts; stainless sill plates |
| Steps | Polished aluminium; safety grip on fuel tanks |
| Bonnet & Fenders | Sloped tilt fibreglass hood with stainless steel grille bezel with insect screen; radiator-mounted aluminium grille; mudflaps behind front tyres |
| Grab Handle | LH & RH exterior grab handles mounted to cab LH & RH interior grab handles mounted to A-post |

| | |
|--------------------|------------------------------------------------------------------------------------------------------------------------------------------------------------------------------------------------------------------------------------------------------------------------------------------------------------------|
| Insulation | Full cab & firewall insulation; cab undercoating; barium/ceramic/foam insulation to floor & toeboard |
| Horns | Dual rectangular Hadley 660mm (26") air horns with shields; single tone electric horn |
| Mirrors | Dual stainless steel primary mirrors, heated with lights (options include electric or manual); door mounted; Dual (LH/RH) 152mm (6") stainless steel convex auxiliary mirrors mounted under primary mirrors Optional 203mm (8") convex mirrors & 102mm x 229mm (4" x 9") LH mounted down-view mirror standard |
| Headlamps | Dual 178mm (7") round headlamps, optional LED |
| Tail Lamps | Dual stop, tail, turn & reversing lamps Optional LED |
| Marker Lamps | 5 amber LED chrome rectangular 2 amber LED chrome rectangular if roof mounted condenser fitted |
| Courtesy Lamps | Under dash & in both doors |
| Switches | Optional 3 spare accessory switches; wiring & relay for bull lights available |
| Trailer Air Valves | Hand control valve; tractor protection valve; light connections, all behind cab or optional EOF |
| Windows | Clear laminated 2-piece windscreen; tinted optional 1-piece (Australian fit); tinted safety glass side & rear Optional powered RHS & LHS door windows |
| Heater/Defroster | 13.2kW (45,000 BTU) fresh air intake |
| Air Conditioning | Integrated with radiator-mounted condenser Optional Red Dot roof mounted air conditioning condenser |

| | |
|----------------------|------------------------------------------------------------------------------------------------------------------------------------------------------------------------------------------------------------------------------------------------------------------------------------------------------------------------------------------------------------------------------------------------------------------------------------------------------------------|
| Interior Trim | Mesa vinyl upholstery package with diamond stitching on door panels and back panel Overhead console with map pockets on driver and passenger side, windshield post covers ABS upper door panels; dual interior sunvisors with pocket; moulded overhead console with passenger side storage area; side window defrost ducts & integrated arm rests; colour-keyed carpet on lower door; rubber floor mats; document pouch mounted on back wall between seats |
| Instrument Panel | Black panel standard Optional 'Woodgrain' in Cherry simulated Royal Rosewood also available |
| Driver's Seat | National 2000 high back: 3-point retractor seat belt; driver's seat armrests. Optionals include National 2000, Bostrom, Seats Inc. integrated & Isri seats available |
| Passenger's Seat | Tubular frame, fixed mount; 3-point retractor seat belt Optionals include National 2000, Bostrom, Seats Inc. integrated & Isri seats available |
| Instruments & Gauges | Metric primary & secondary air pressure gauges, low air buzzer & lamp, fuel gauge, voltmeter, engine coolant temperature, oil pressure, engine oil temperature, exhaust temperature, rear axle oil temperature, transmission oil temperature, 89mm (3½") diameter speedometer/odometer & 89mm (3½") electronic tachometer with hour meter, Datastar, black bezel gauges standard with silver bezel finish optional |
| Paint | White PPG acrylic urethane to cab & hood basecoat/clearcoat; red chassis, silver rims Options include custom paint |
| Tyres | Front tyres: Michelin Multiway 3D XZE 295/80R 22.5 16 ply Rear tyres: Michelin X Multiway D 11R 22.5 16 ply |





Western Star Trucks Australia

72 Formation Street, Wacol, QLD 4076 ★ PO Box 301, Goodna QLD 4300 ★ Phone: + 61 7 3271 7777 ★ www.westernstar.com.au

Truck photos are for illustration purposes only. Engine and truck specifications are subject to change. 10/15.