

SERIOUS SPECS

W 4800 FS

W 4800 FS2

 **DETROIT**



Serious trucks.™



WESTERN STAR TRUCKS



Engine Options	Detroit Diesel DD15 EGR 14.8 Litre, 475, 500, 505, 530 & 560hp Detroit Diesel DD13 EGR 12.8 Litre, 450hp
Engine Brake	Jacobs compression brake
Transmission Options	Eaton Fuller 13 speed overdrive manual Eaton Fuller RTLO-16918B to RTLO-22918B 18 speed overdrive manual & ultra-shift Oil pump & Hayden cooler included & oil filter Synthetic lube standard
Front Axle	Meritor MFS73 standard Optional FG-941 Synthetic lube standard
Steering	TRW TAS-85; TRW power steering pump; 4 Quart reservoir; 508mm (18") leather 2-spoke steering wheel
Front Suspension	7,258kg (16,600lb) capacity taper, Optional 7,288kg (16,600lb) capacity flat-leaf Cast iron spring brackets; Threaded pins & bushings standard
Front Brake Options	WABCO Antilock Braking System (ABS) with traction control Meritor 419mm x 178mm (16½"x7") 'Q-Plus' cam, automatic slack adjusters & include fabricated HD shoes; Bendix ADB22X air disc optional
Rear Axle Options	Meritor RT-46-160GP R-series rear axle, 46,000lb axle capacity (FS2); Dana Spicer Dual Drive D46-170P rear axle, 46,000lb axle capacity (FS2); Meritor MX-40-14XGP R-series rear axle, 40,000lb axle capacity (FS); Dana Spicer Dual Drive DSH44-P rear axle, 40,000lb axle capacity (FS); Synthetic lube standard

Rear Suspension Options	Airliner 46,000lb capacity rear suspension (FS2); Airliner 40,000lb capacity rear suspension (FS);
Rear Brakes	WABCO Antilock Braking System (ABS) with traction control Meritor 419mm x 178mm (16½" x 7") 'Q-Plus' cam with MGM chambers, automatic slack adjusters Bendix ADB22X Air Disc Rear Brakes
Main Driveline Options	Meritor MXL 18N main driveline with full round yokes Dana Spicer SPL250HD available for higher HP Optional Meritor RPL25SD main driveline non-greasable
Interaxle Driveline	Meritor MXL 17N interaxle driveline with full round yokes Dana Spicer SPL170HD available for higher HP Meritor RPL20 interaxle non-greasable driveline
Air Compressor Options	BW Model BA-921 19.0 CFM single cylinder compressor with safety valve
Oil Filter	Full flow oil filter
Air Cleaner	Dual stainless steel 13" Donaldson cowl mounted air cleaners with polished stainless steel bands Dual stainless steel 13" Donaldson cowl mounted with inline separator & extension rams & water resistant element
Radiator	1875 square inch copper/brass radiator 1700 square inch aluminium radiator with DD13

Fan Clutch	Reinforced nylon fan Borg Warner (Kysor) K32RA fan clutch Optional Horton two-speed fan clutch
Batteries	Alliance Model 1231, Group 31, 12 volt maintenance-free 3300 CCA batteries with threaded studs Positive cab power battery shut-off switch mounted in cab outboard of driver's seat
Water Conditioner	Manufacturers recommended coolant (to facilitate long life coolant programs)
Exhaust Options	Stationary cab/sleeper mounted, dual vertical exhaust with polished stainless steel exhaust shield, chromed stack & lower elbow with diesel particulate filter Optional single exhaust available
Alternator	Delco Remy 12V 160 AMP, 36 SI Brushless Quadramount pad mount alternator with remote battery volt sense
Starter Options	Delco 12V 39MT/OCP HD Series starter with terminal protection
Clutch	Eaton Fuller 15½" Solo VCT dampened ceramic adjustment-free soft rate clutch, available for engines up to 2250lb-ft torque
Wheels Options	Accuride 28487 22½" x 8¼", 10-hub piloted, steel disc front wheels Accuride 28487 22½" x 8¼" 10-hub piloted, steel disc rear wheels Optional Alcoa & Ultrax 1 Wheels available Optional spoke/rims combinations available
Oil Seals	Chicago Rawhide (Scotseal) Plus XL front & rear oil seals
Overhang	1473mm (58"), optional overhangs available
Frame Option	5/16" x 10 5/8" single 176" to 220" wheelbase (FS, FS2) 3/8" x 10 3/4" single 176" to 238" wheelbase (FS2)
Front Engine Crossmember	Steel
Front Bumper	18" Chromed steel bumper
Cab Front Supports	Iron
Rear Cab Crossmember	HD "C" channel steel with air bag(s) & shock absorbers



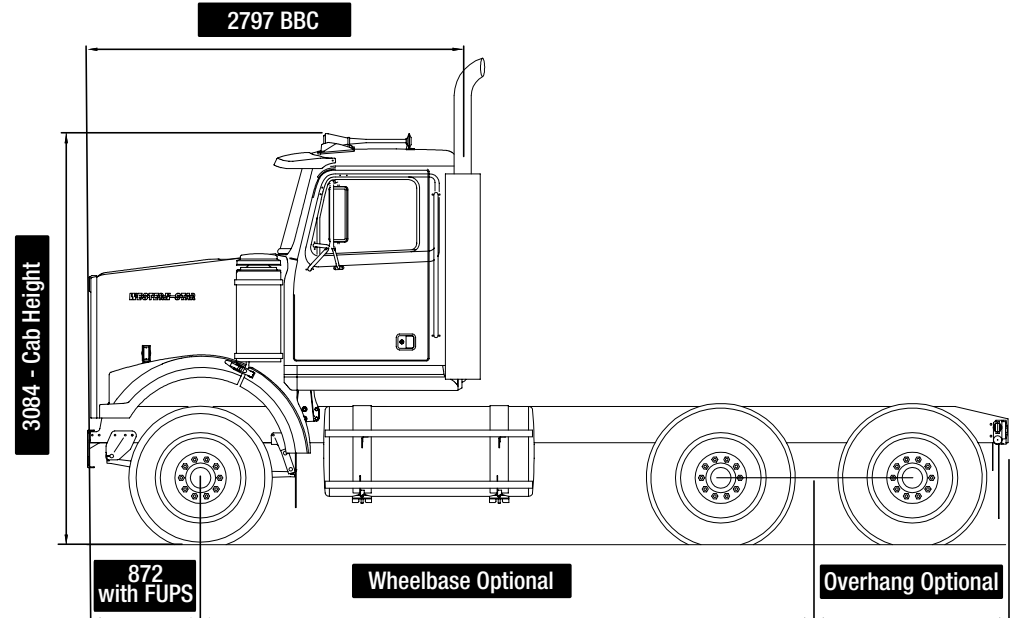
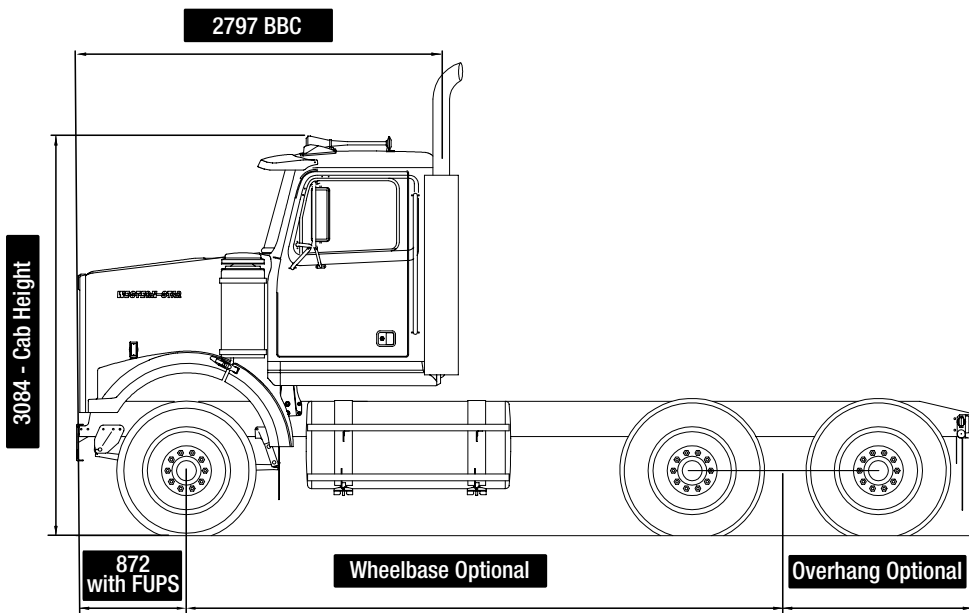
Intermediate Crossmember	C-channel steel
Rear Suspension Crossmember	C-channel steel
Rear Frame Crossmember	Tractor taper, optional squared EOF
Air Dryer	CR Brakemaster Turbo 2000 air dryer with heater
Air Tank Drain	Bendix Westinghouse DV-2 auto moisture ejector without heater to wet tank-drain valves on all other tanks
Air Tanks	Steel in rail, some applications perpendicular outside rail
Fuel Tank Options	378 litre (23" diameter) tanks; heavy duty polished stainless steel straps EquiFlo Inboard Fuel System Optional 378 litre to 567 litre (23" or 25" dia.) tanks available
Battery Box	Steel (3) battery size box mounted along side of rail Optional aluminium (3) battery size box mounted between rails and aluminium (4) battery size box mounted along side of rail
Cab Shell & Doors	ECE-R29 conforming cab E-Coated galvanised severe service 109" BBC steel cabs with aluminised wax rustproofing; welded construction; exterior fibreglass sunvisor; aluminium cab skirts; stainless sill plates
Steps	Polished aluminium; safety grip on fuel tanks
Bonnet & Fenders	Sloped tilt fibreglass hood with stainless steel grille bezel with insect screen; radiator mounted aluminium grille; mudflaps behind front tyres
Grab Handle	LH & RH exterior grab handles mounted to cab LH & RH interior grab handles mounted to A-post
Insulation	Full cab & firewall insulation; cab undercoating; barium/ceramic/foam insulation to floor & toeboard
Horns	Dual rectangular Hadley 660mm (26") air horns with shields; single tone electric horn

Mirrors	Dual stainless steel primary mirrors, heated with lights (options include electric or manual); door mounted; Dual (LH/RH) 152mm (6") stainless steel convex auxiliary mirrors mounted under primary mirrors Optional 203mm (8") convex mirrors & 102mm x 229mm (4" x 9") LH mounted down-view mirror standard
Headlamps	Dual 178mm (7") round headlamps; optional LED
Tail Lamps	Dual stop, tail, turn & reversing lamps Optional LED
Marker Lamps	5 amber LED chrome rectangular 2 amber LED chrome rectangular if roof mounted condenser fitted
Courtesy Lamps	Under dash & in both doors
Switches	Optional three spare accessory switches; wiring & relay for bull lights available
Trailer Air Valves	Hand control valve; tractor protection valve; light connections, all behind cab or optional EOF
Windows	Clear laminated 2-piece windscreen; tinted optional 1-piece (Australian fit); tinted safety glass side & rear Optional powered LHS and RHS & LHS door windows
Heater/Defroster	13.2kW (45,000 BTU) fresh air intake
Air Conditioning	Integrated with radiator mounted condenser Optional Red Dot roof mounted air conditioning condenser
Interior Trim	Mesa vinyl upholstery package with diamond stitching on door panels and back panel Overhead console with map pockets on driver and passenger side, windshield post covers ABS upper door panels; dual interior sunvisors with pocket; moulded overhead console with passenger side storage area; side window defrost ducts & integrated arm rests; colour-keyed carpet on lower door; rubber floor mats; document pouch mounted on back wall between seats
Instrument Panel	Black panel standard Optional 'Woodgrain' in Cherry simulated Royal Rosewood also available

Driver's Seat	National 2000 high back: 3-point retractor seat belt; driver's seat armrests. Optionals include National 2000, Bostrom, Seats Inc. integrated & Isri seats available
Passenger's Seat	Tubular frame, fixed mount; 3-Point retractor seat belt Optionals include National 2000, Bostrom, Seats Inc. integrated & Isri seats available
Instruments & Gauges	Metric primary & secondary air pressure gauges, low air buzzer & lamp, fuel gauge, voltmeter, engine coolant temperature, oil pressure, engine oil temperature, exhaust temperature, rear axle oil temperature, transmission oil temperature, 89mm (3½") diameter speedometer/odometer & 89mm (3½") electronic tachometer with hour meter, Datastar, black bezel gauges standard with silver bezel finish optional
Paint	White PPG acrylic urethane to cab & hood basecoat/clearcoat; red chassis, silver rims Options include custom paint colours and designs
Tyres	Front tyres: Michelin Multiway 3D XZE 295/80R 22.5 16 ply Rear tyres: Michelin X Multiway D 11R 22.5 16 ply



Serious trucks.SM



Western Star Trucks Australia

72 Formation Street, Wacol, QLD 4076 ★ PO Box 301, Goodna QLD 4300 ★ Phone: + 61 7 3271 7777 ★ www.westernstar.com.au

Truck photos are for illustration purposes only. Engine and truck specifications are subject to change. 10/15.