




SERIOUS SPECS

W 4800 EXG

W 4900 EXG

 **DETROIT**

 **Serious trucks.™**


WESTERN STAR TRUCKS



Engine Options	Detroit Diesel DD15 EGR 14.8 litre 475, 500, 505, 530 & 560hp
Engine Brake Options	Jacobs compression brake (Detroit)
Transmission Options	Eaton Fuller 13, 15 & 18-speed manual & 18-speed & ultra-shift with oil pump & Hayden Cooler & oil filter, (synthetic lube standard) Eaton Fuller auxiliary transmissions also available with certain engine/transmission combinations
Front Axle	Meritor MFS73 available standard Meritor FG941, FL941 options available Forward Axle 838mm (33") set-back dimension
Steering	TRW TAS 85, 23.3:1 ratio, RHD; TRW pump; 4 quart reservoir; 508mm (20") leather 2-spoke steering wheel with tilt/telescopic column
Front Suspension	Taper leaf rated at 7,500kg (16,600 lb) total capacity; cast iron spring brackets Optional Flat leaf 7,500kg (16,600lb), taper and flat leaf 8,165 kg (18,000 lb), flat leaf 9,072 kg (20,000 lb); Threaded pins & bushings standard Synthetic lube standard
Front Brake Options	WABCO Antilock Braking System (ABS) with traction control Meritor 419mm x 152mm (16.5 x 6") available standard, optional Meritor 419mm x 127mm (16.5" x 5") FG941 'Q-Plus' cam; automatic slack adjusters Bendix ADB22X Air Disc optional

Air Compressor Options	BW Model BA-921 19.0 CFM single cylinder compressor with safety valve
Rear Axle Options	Meritor Dual Drive 40,000lb up to 52,000lb Dana Spicer Dual Drive 44,000lb up to 52,000lb Sisu Dual Drive 70,000lb Meritor, Dana, Sisu TRI Drive 69,000lb up to 364,000lb Synthetic lube standard
Rear Brakes	Wabco Antilock Braking System (ABS) with traction control Meritor 419mm x 178mm (16.5 x 7") 'Q-Plus' cam with MGM chambers, automatic slack adjusters include fabricated & HD shoes Sisu 410mm x 210mm (16.25 x 8.25) included with Sisu rear axles Bendix ADB22X Air Disc optional
Main Driveline Options	Meritor MXL 18N with full round yokes & solid rubber bearings; optional Dana Spicer SPL250HD 'XL' with half round yokes Meritor RPL25SD heavy-duty series; non-greasable
Interaxle Driveline Options	Meritor MXL 17N with full round yokes, optional Dana Spicer SPL170 'XL' with half round yokes Meritor RPL20 heavy duty series; non-greasable
Oil Filter	Full flow: Engine mounted
Air Cleaner Options	Dual stainless steel 13" Donaldson cowl mounted air cleaners with polished stainless steel bands Dual stainless steel 13" Donaldson cowl mounted with inline separator & extension rams & water resistant element

Rear Suspension Options	Airliner tandem drive 46,000lb, extra duty 40,000lb Hendrickson tandem drive PRIMAAX 46,000lb Meritor/Rockwell tandem drive six-rod AC6SS 46,000lb & AC-6T 52,000lb Neway tandem drive AD246 46,000lb AD252, 52,000lb Tuf-Trac tandem drive 46,000lb & 52,000lb Neway tri drive AD369 69,000lb, AD378 78,000lb
Fan Clutch	Reinforced nylon fan BorgWarner (Kysor) fan clutch Optional Horton two-speed fan clutch
Radiator Options	1875 square inch, heavy-duty copper/brass radiator core
Exhaust Options	Dual vertical muffler & stack with polished perforated stainless steel exhaust shield with logo; chromed stack & lower elbow; cab mounted with diesel particulate filter Optional single exhaust available
Alternator	Delco Remy 12V 160 AMP, 36 SI Brushless Quadramount pad alternator with remote battery volt sense
Batteries	3 Alliance Model 1131, Group 31, 12 volt maintenance-free 2775 CCA batteries with threaded studs Optional 4 Alliance, Group 1231, 12 volt maintenance-free 4400 CCA batteries with threaded studs 4 Alliance, Model 9A31, Group 31, 12 volt glass mat 3700 CCA batteries with threaded studs Positive cab power battery shut-off switch mounted in cab outboard of driver's seat
Starter Options	Delco 12V 39MT/OCP HD series starter with thermal protection
Clutch	Eaton Fuller 15½" Solo VCT dampened ceramic adjustment-free soft rate clutch
Oil Seals	Front & back oil seals; Chicago Rawhide 'Scotseal XL' Oil seals included with Sisu axles
Frame Options	Heat-treated steel alloy 120ksi. 5/16" x 10 5/8" single 176" to 220" wheelbase & double rail 176" to 246" wheelbase 3/8" x 10 3/4" single 176" to 238" wheelbase & double rail 176" to 252" wheelbase

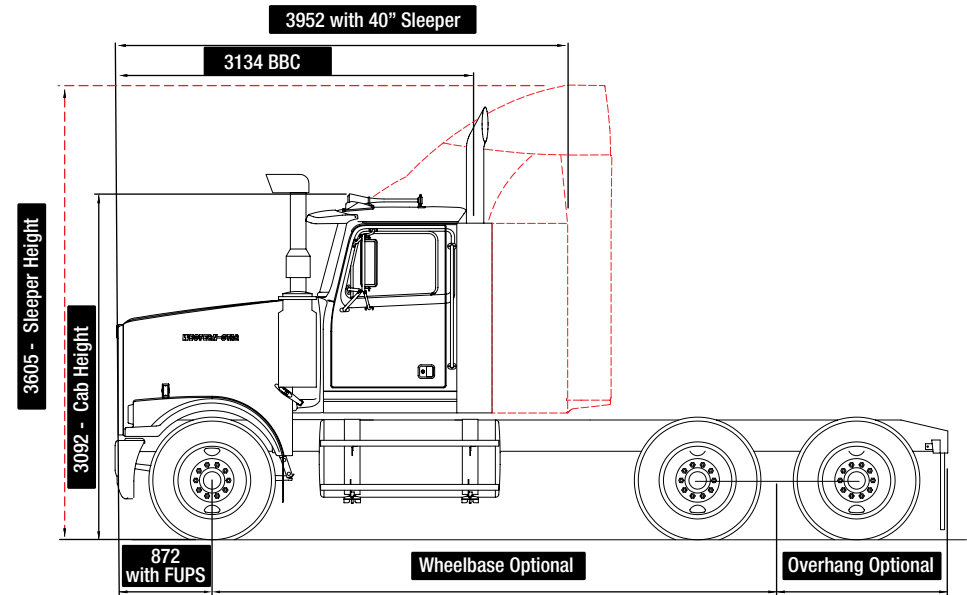
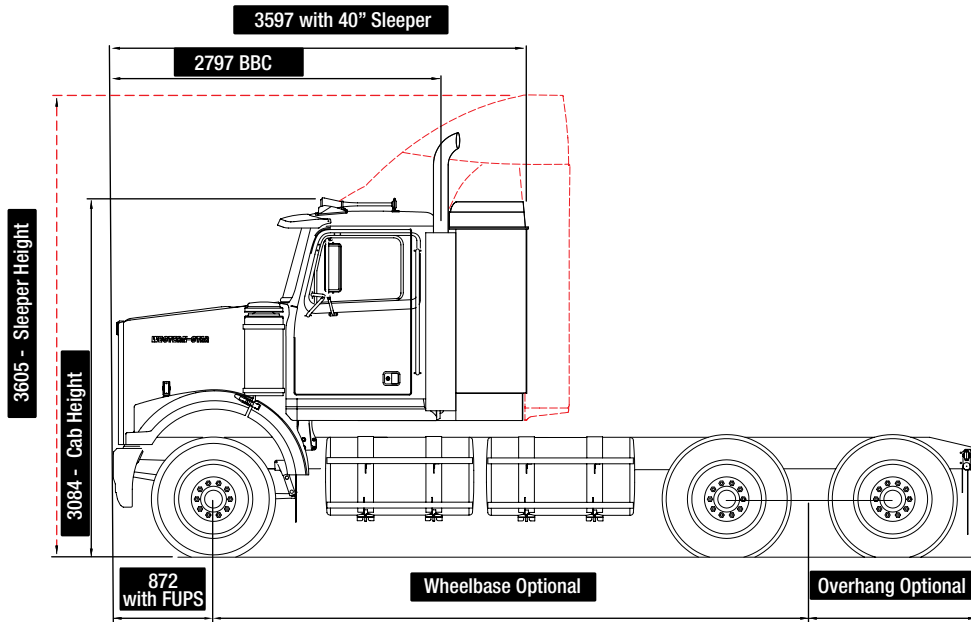


Front Bumper Options	18" chrome bumper ECE-R93 conforming Front Underrun Protection (FUPS) for 26m applications. 4 or 5 post Road Train also FUPS rated
Air Tank Dryer	1 CR Turbo 2000 air dryer with heater Optional Dual CR Turbo 2000
Air Tanks	Steel in rail, optional aluminium & some applications perpendicular outside rail
Air Tank Drain	Bendix Westinghouse DV-2 auto moisture ejector without heater (optional heater available) to wet tank-drain valves on all other tanks
Air Line Piping	Reinforced nylon lines, cab/chassis Optional wire braid chassis lines
Fuel Tank Options	Fuel tank sizes available from 227 litres to 567 litres in 23" & 25" diameter configurations; heavy-duty polished stainless steel straps; EquiFlo inboard fuel system; fuel cooler standard
Battery Box	Standard Steel (3) battery size box mounted along side of rail; numerous options, side mounted & in frame mounted (subject to application)
Cab Shell & Doors	ECE-R29 conforming cab E-Coated galvanised severe service 109" BBC (4800FXC) 123" BBC (4900FXC) steel cab with aluminised wax rustproofing; welded construction; exterior fibreglass sunvisor; fibreglass cab skirts; stainless sill plates
Sleeper Cab Options	Starlight sleepers are available as 34" low roof, 48" low & 48" ultra low roof configurations Stratosphere 'walk-through' sleepers are available in 34", 40", 54" & 68" configurations; side shield & aero kit options available
Steps	Polished aluminium; safety grip on fuel tanks, hydraulic tanks, battery boxes and/or toolboxes
Bonnet & Fenders	Sloped tilt fibreglass hood with stainless steel grille bezel with insect screen; radiator mounted aluminium grille; mudflaps behind front tyres
Insulation	Full cab & firewall insulation; cab undercoating; barium/ceramic/foam insulation to floor & toeboard

Grab Handle	LH&RH exterior grab handles mounted to cab LH&RH interior grab handles mounted to A-post
Mirrors	Dual stainless steel primary mirrors, heated with lights (options include electric or manual); door mounted Dual 152mm (6") stainless steel convex auxiliary mirrors mounted below primary mirrors, optional 203mm (8") convex mirrors & 102mm x 229mm (4" x 9") LH mounted downview mirror
Headlamps	Dual 178mm (7") round headlamps
Tail Lamps	Dual stop, tail, turn & reversing lamps Optional LED and stainless steel rear light bar
Marker Lamps	5 amber LED chrome rectangular 2 amber LED chrome rectangular if roof mounted condenser fitted
Courtesy Lamps	Dome, under dash & in both doors
Horns	Dual rectangular Hadley 660mm (26") air horns with shields; single tone electric horn Optional Single Hadley 26" rectangular air horn Dual round air horns, single base, mounted under cab Quad Horns Stratosphere - Dual 22" chrome round horns & dual 19" chrome round horns Quad Horns - Dual 22" chrome round airhorns mounted on cab roof
Switches	Three spare accessory switches; wiring & relay for bull lights
Reading Lamps	Adjustable with individual switches in overhead console & above both doors
Trailer Air Valves	Hand control valve; tractor protection valve; light connections, all behind cab or optional EOF
Windows	Clear laminated 2-piece windscreen; tinted optional 1-piece (Australian fit); tinted safety glass side & rear; powered LHS door window Optional powered dual RHS & LHS door windows
Heater/Defroster	13.2kW (45,000 BTU) fresh air intake
Air Conditioning	Integrated with radiator mounted condenser Optional Red Dot roof mounted air conditioning condenser

Interior Trim	Mesa vinyl upholstery package with diamond stitching on door panels & back panel Soft touch trim on overhead console, windshield post covers, trim above doors & upper door panels; dual interior sunvisors with pocket; moulded overhead console with passenger side storage area; side window defrost ducts & integrated arm rests; driver & passenger side map pockets & rubber floor mats
Driver's Seat	National 2000 high back: 3-point retractor seat belt; driver's seat armrests Options include National 2000, Bostrom, Seats Inc. integrated & Isri seats available
Passenger's Seat	Tubular frame, fixed mount; 3-point retractor seat belt Options include National 2000, Bostrom, Seats Inc. integrated & Isri seats available
Instrument Panel	Black panel Optional Vinyl 'Woodgrain' in Royal Rosewood available Optional 'Woodgrain' in Cherry simulated
Instruments & Gauges	Metric primary & secondary air pressure gauges, low air buzzer & lamp, fuel gauge, voltmeter, engine coolant temperature, oil pressure, engine oil temperature, exhaust temperature, rear axle oil temperature, transmission oil temperature, 89mm (3½") diameter speedometer/odometer & 89mm (3½") electronic tachometer with hour meter, Datastar, gauge finish in black bezel, or optional silver bezel
Paint	White PPG acrylic urethane to cab & hood basecoat/clearcoat; red chassis, silver rims (options include custom paint)
Tyres & Wheels	Front tyres: Michelin Multiway 3D XZE 295/80R22.5 16 ply Rear tyres: Michelin X Multiway D 11R22.5 16 ply Front rims: Maxion 22.5 x 8.25 steel Rear rims: Maxion 22.5 x 8.25 steel Steel & aluminium & Ultrax 1 disc wheels available





Western Star Trucks Australia

72 Formation Street, Wacol, QLD 4076 ★ PO Box 301, Goodna QLD 4300 ★ Phone: + 61 7 3271 7777 ★ www.westernstar.com.au

Truck photos are for illustration purposes only. Engine and truck specifications are subject to change. 10/15.